

9040 / 9040 s / 9040 IP65

small character inkjet printers ■ ■ ■



Our technology ■ ■ ■

9000 Series printers offer the best balance between performance and flexibility in their segment for an easy integration in all manufacturing environments. Their state-of-the-art design requires minimal attention and provides high quality coding.

The continuous inkjet technology prints the best before dates, logos, alphanumeric text and 1D and 2D barcodes. Its wide range of inks meets every industries' requirements.

Your benefits ■ ■ ■

Simplicity – Ergonomic design with an intuitive user interface featuring shortcuts and direct access to consumables. Easy and quick installation of the cabinet on the floor for user-friendly operations.

Performance – Designed to meet customers' most demanding requirements: wide selection of inks, standard Ethernet connectivity, high speed version and IP65 cabinet available.

Quality – Automatic ink-pressure adjustment (Jet Speed Control) guaranteeing print quality.

Uptime – Unique head cleaning system to ensure trouble-free startup. Easy change of the consumables without stopping marking operations.

Versatility – Wide choice of options making integration onto most production lines efficient: mono- or twin-jet, single or twin-head systems and 3 printing resolutions (71, 115 and 178 dpi).



markem·imaje

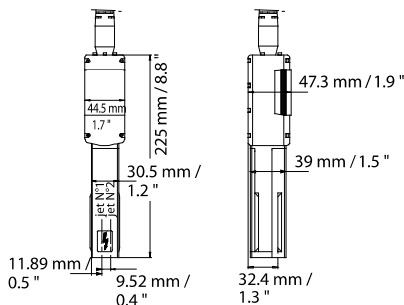
the team to trust

Print features ■ ■ ■

- Mono or bi-jet printhead
- Single or dual printhead systems
- G head (printing resolution: 71 dpi) - M head (printing resolution: 115 dpi) - P head (printing resolution: 178 dpi)
- Up to 8 lines of text
- Print speed: up to 5.5 m/s
- Font sizes from 5 dots to two 24-dot lines
- Character height from 0.7 mm to 18.2 mm
- One and two-dimensional barcodes (Datamatrix)
- Wide selection of characters (Latin, Arabic, Cyrillic, Greek, Japanese, Chinese, Hebrew, Korean...)

Available configurations ■ ■ ■

	9040	9040 IP65	9040 S
1.1 G	•	•	
1.2 G	•	•	
1.1 M	•	•	
1.2 M	•	•	
1.2 MS			•
1.1 P	•		
2.1 G	•	•	
2.2 G	•	•	
2.1 M	•	•	
2.2 M	•	•	



*Availability depending on configuration

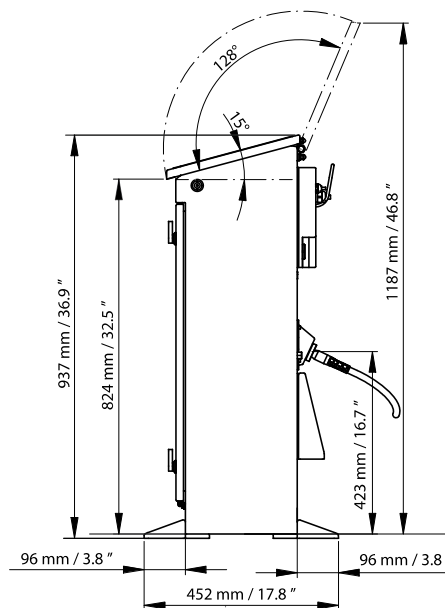
To learn more, visit www.markem-imaje.com



We reserve the right to amend the design and/or specifications of our products without notice.

Operations ■ ■ ■

- Message library (up to 2000 messages)
- User interface available in 29 languages
- Large WYSIWYG backlit display
- Creation of logos directly on the user interface
- PCMCIA, Compact Flash and SD cards capable
- USB Port
- Jet Speed Control for optimum print quality
- Automatic font selection; print speed and printhead to substrate distance dependent
- Wide range of inks: fast-dry and alcohol-based
- 2 tanks (1 liter each)
- Quick connect interface panel for accessories (photocell, encoder, alarm)
- RS-232/422 connectivity, parallel interface and I/O slot for remote access
- Ethernet connectivity



Other characteristics ■ ■ ■

- Weight: 40 kg
- 3-meter flexible umbilical
- Stainless steel cabinet
- Dust/humidity protection rating: IP54
- No plant air required
- Operating temperature range: 0° to 50° C
- Humidity: 10% to 90% non-condensing
- Electrical power supply: 100-120 V or 200-240 V with automatic switching; frequency 50/60 Hz; power 200 VA

Accessories ■ ■ ■

- Printhead stand (aluminum or stainless steel)
- Various printhead brackets
- Stainless steel printhead cover
- Photocell
- Encoder
- Alarm beacon (24 V)

Options ■ ■ ■

- IP65 (requires plant air)
- High speed (S version)
- Printhead pressurization kit
- 5 or 8-meter flexible umbilical
- 90° bent umbilical
- 90° bent printhead

